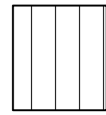


CR
DRAWINGS

5/45 Avenue Rd.
Highgate 5063

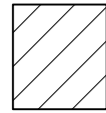
christian14586@gmail.com



Depth 1300mm
Profundidad 1300mm



Umbrella concrete column 300mm diameter
Sombrilla de concreto 300mm de diametro



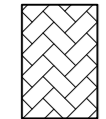
Contour Depth 1500mm & Middle
Depth 1800mm



Pool pump house
Casa del motor para la piscina



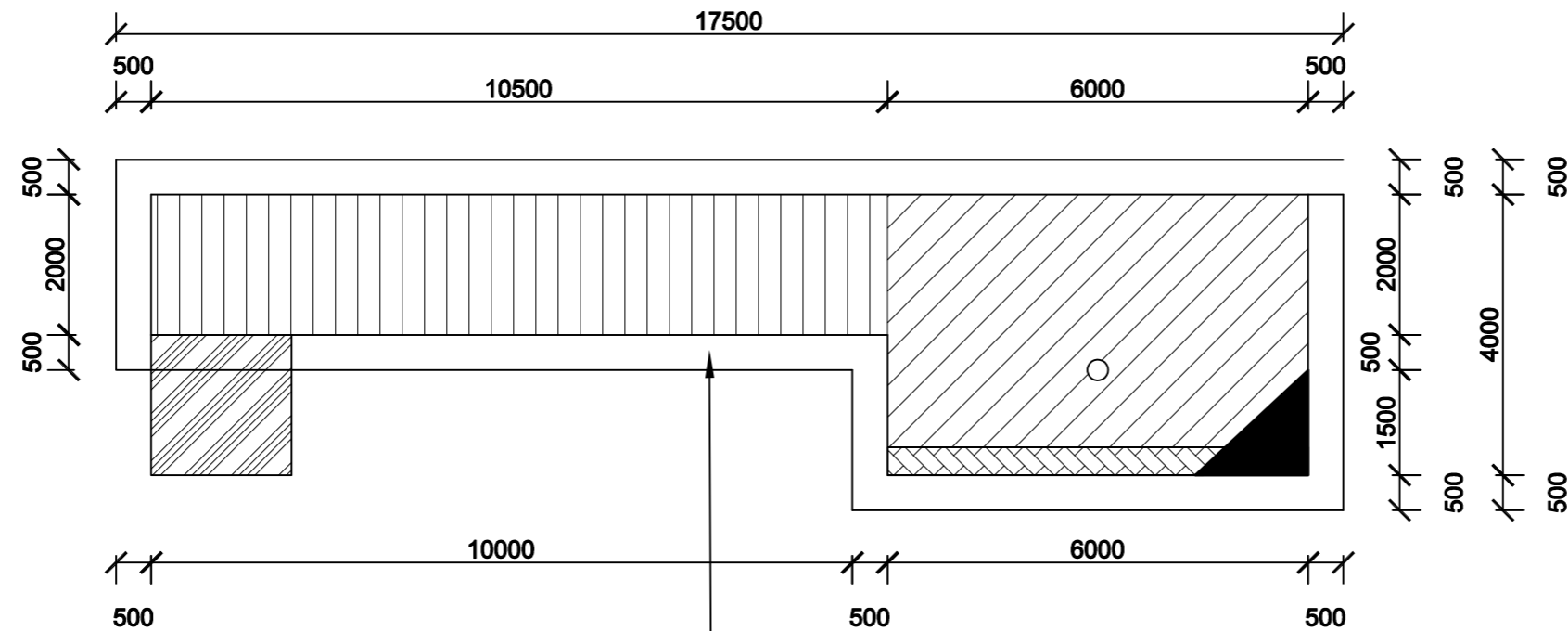
Steps
Escalera



Concrete bench 400mm wide,
900high/400 below water level
Banco de concreto a 400mm de ancho,
900 de alto/400 bajo el nivel de agua

Note: Metric (Millimeters mm) Annotation
and Dimensions have been used in this
project.

Nota: Anotación y Dimensiones Metricas
(Milímetros mm) han sido usadas en este
proyecto.



Concrete footpath around the pool

Camino de concreto alrededor de la alberca

SWIMMING POOL PLAN

PLANO DE LA ALBERCA

-	-	-
-	-	-
-	-	-
DATE	REV	COMMENT

PROJECT TITLE:
Two Storey House

UNIT TITLE			
CLIENT	Ben Paton		
DRAWN BY	Christian Ramirez		
CHECKED BY			
SCALE	1:100	DATE	29 NOV 17

DRAWING TITLE:
FL Services

DRAWING NUMBER:
009